

# PRODUCT INFORMATION PACKET



Model No: LM24967  
Catalog No: LM24967  
0.75 HP General Purpose Motor, 3 phase, 900 RPM, 230/460 V, 145TC Frame, TEFC  
General Purpose Motors



Regal and Leeson are trademarks of Regal Rexnord Corporation or one of its affiliated companies.  
©2021 Regal Rexnord Corporation, All Rights Reserved. MC017097E





### Nameplate Specifications

|                        |                   |                            |                                    |
|------------------------|-------------------|----------------------------|------------------------------------|
| Output HP              | <b>0.75 Hp</b>    | Output KW                  | <b>0.56 kW</b>                     |
| Frequency              | <b>60 Hz</b>      | Voltage                    | <b>230/460 V</b>                   |
| Current                | <b>4.2/2.1 A</b>  | Speed                      | <b>870 rpm</b>                     |
| Service Factor         | <b>1.15</b>       | Phase                      | <b>3</b>                           |
| Efficiency             | <b>70 %</b>       | Power Factor               | <b>48</b>                          |
| Duty                   | <b>Continuous</b> | Insulation Class           | <b>F</b>                           |
| Design Code            | <b>B</b>          | KVA Code                   | <b>K</b>                           |
| Frame                  | <b>145TC</b>      | Enclosure                  | <b>Totally Enclosed Fan Cooled</b> |
| Thermal Protection     | <b>No</b>         | Ambient Temperature        | <b>40 °C</b>                       |
| Drive End Bearing Size | <b>205</b>        | Opp Drive End Bearing Size | <b>203</b>                         |
| UL                     | <b>Recognized</b> | CSA                        | <b>Y</b>                           |
| CE                     | <b>N</b>          | IP Code                    | <b>43</b>                          |
| Number of Speeds       | <b>1</b>          |                            |                                    |

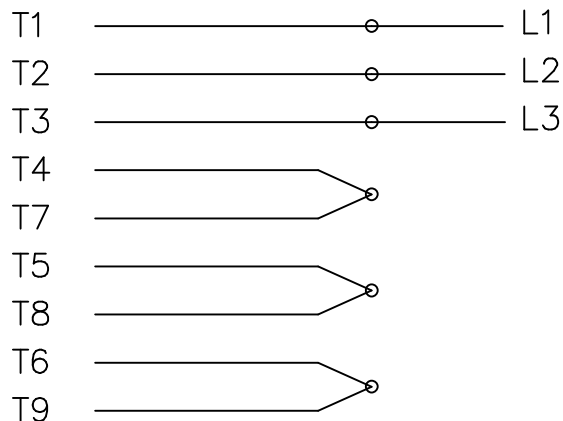
### Technical Specifications

|                       |                                    |                       |                        |
|-----------------------|------------------------------------|-----------------------|------------------------|
| Electrical Type       | <b>Squirrel Cage Induction Run</b> | Starting Method       | <b>Across The Line</b> |
| Poles                 | <b>8</b>                           | Rotation              | <b>Reversible</b>      |
| Resistance Main       | <b>21 Ohms</b>                     | Mounting              | <b>Round</b>           |
| Motor Orientation     | <b>Horizontal</b>                  | Drive End Bearing     | <b>Ball</b>            |
| Opp Drive End Bearing | <b>Ball</b>                        | Frame Material        | <b>Rolled Steel</b>    |
| Shaft Type            | <b>T</b>                           | Overall Length        | <b>14.87 in</b>        |
| Frame Length          | <b>9.56 in</b>                     | Shaft Diameter        | <b>0.875 in</b>        |
| Shaft Extension       | <b>2.25 in</b>                     | Assembly/Box Mounting | <b>F1/F2 CAPABLE</b>   |
| Connection Drawing    | <b>EE7308-LN</b>                   | Outline Drawing       | <b>108748-956</b>      |

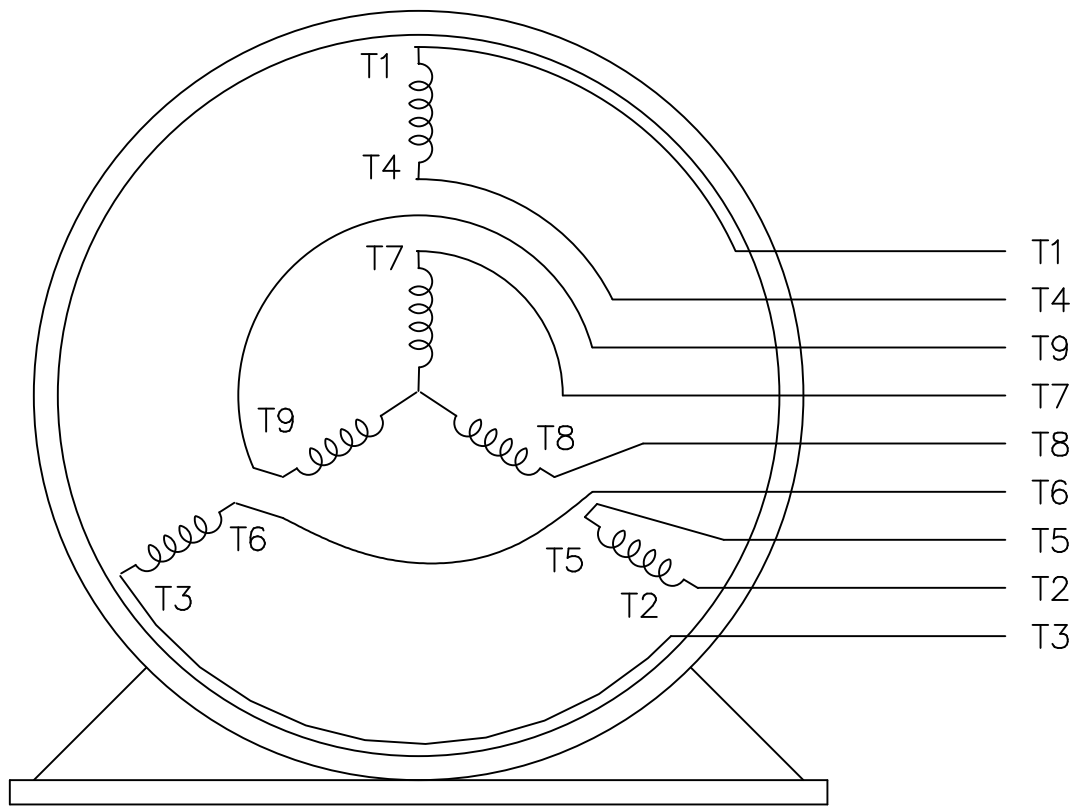
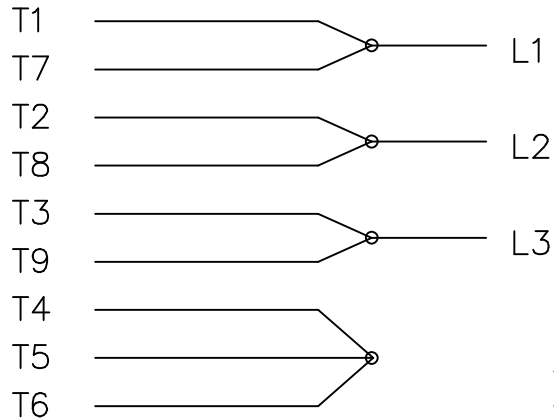


THREE PHASE  
DUAL VOLTAGE MOTOR

HIGH VOLTAGE



LOW VOLTAGE



VIEW OF TERMINAL END

REF.  
WINDING DIAGRAM

T8Y, T2Y, T2BL, T4BX, T2EC, T2G  
T6BZ, T2B, T6BL, T4AV, T6B, T4B

OPTIONAL CORD  
CONNECTION

L1 — WHITE —  
L2 — RED —  
L3 — BLACK —

| NO. | REVISION                                   | BY & DATE      | CHK | TOLERANCES UNLESS SPECIFIED |                   | FINISH                   | DRAWN | DATE       |                     |      |
|-----|--|----------------|-----|-----------------------------|-------------------|--------------------------|-------|------------|---------------------|------|
|     |  |                |     | DEC.                        | INCHES            |                          |       |            |                     |      |
|     |  |                |     | .X                          | ±.1               |                          | BLR   | 06/11/1999 |                     |      |
|     |  |                |     |                             |                   |                          | ML    | 06/18/1999 |                     |      |
|     |  |                |     |                             |                   |                          | GK    | 06/18/1999 |                     |      |
| 3   | ADDED THE OPTIONAL CORD CONNECTION MU46318 | RDH 04/24/2003 | DRS | .XX                         | ±.02              | TITLE CONNECTION DIAGRAM |       | SCALE 1=1  |                     |      |
| 2   | RE-ISSUE, ADDED '-' TO PART NUMBER         | BLR 08/09/1999 | GK  | .XXX                        | ±.005             | 3∅ - DUAL VOLTAGE MOTOR  |       | REF        |                     |      |
| 1   | NEW DRAWING                                | BLR 06/18/1999 | GK  | .XXXX                       | ±.0005            | MAT'L.                   |       | FMF        |                     |      |
|     |  |                |     | ANG                         | ±7'30"            |                          |       | PREV       |                     |      |
|     |  |                |     | RFP                         | CAD FILE EE7308LN |                          |       | SIZE       | DRAWING NO. PAGE OF | REV. |
|     |  |                |     | DIST WP                     |                   |                          |       | A          | EE7308-LN           | 3    |





**2100 WASHINGTON ST.  
GRAFTON, WI  
PH. 262-277-8810**

**CERTIFICATION DATA SHEET**

**CONN. DIAGRAM:** A-EE7308-LN

CATALOG #: LM24967

**OUTLINE:** A-108748-956

**WINDING #:** ZT800 R1 3 A

**MOUNTING:** F1/F2 CAPABLE

**TYPICAL MOTOR PERFORMANCE DATA**

| HP  | kW   | SYNC. RPM | F.L. RPM | FRAME | ENCLOSURE | KVA CODE | DESIGN |
|-----|------|-----------|----------|-------|-----------|----------|--------|
| 3/4 | 0.56 | 900       | 870      | 145TC | TEFC      | K        | B      |

| PH | Hz | VOLTS   | AMPS    | START TYPE      | DUTY       | INSL | S.F. | AMB°C |
|----|----|---------|---------|-----------------|------------|------|------|-------|
| 3  | 60 | 230/460 | 4.2/2.1 | ACROSS THE LINE | CONTINUOUS | F3   | 1.15 | 40    |

| FULL LOAD EFF: | 70 | 3/4 LOAD EFF: | 66.5 | 1/2 LOAD EFF: | 60 | GTD. EFF |  | ELEC. TYPE      |  |
|----------------|----|---------------|------|---------------|----|----------|--|-----------------|--|
| FULL LOAD PF:  | 48 | 3/4 LOAD PF:  | 41   | 1/2 LOAD PF:  | 30 | 66       |  | SQ CAGE IND RUN |  |

| F.L. TORQUE | LOCKED ROTOR AMPS | L.R. TORQUE      | B.D. TORQUE      | F.L. RISE°C |
|-------------|-------------------|------------------|------------------|-------------|
| 4.4 LB-FT   | 16.4 / 8.2        | 11.4 LB-FT 259 % | 14.4 LB-FT 327 % | 70          |

| SOUND PRESSURE @ 3 FT. | SOUND POWER | ROTOR WK^2   | MAX. WK^2 | SAFE STALL TIME | STARTS / HOUR | APPROX. MOTOR WGT |
|------------------------|-------------|--------------|-----------|-----------------|---------------|-------------------|
| 62 dBA                 | 72 dBA      | 0.14 LB-FT^2 | 0 LB-FT^2 | 20 SEC.         | 0             | 55 LBS.           |

**\*\*\* SUPPLEMENTAL INFORMATION \*\*\***

| DE BRACKET TYPE | ODE BRACKET TYPE | MOUNT TYPE | ORIENTATION | SEVERE DUTY | HAZARDOUS LOCATION | DRIP COVER | SCREENS | PAINT          |
|-----------------|------------------|------------|-------------|-------------|--------------------|------------|---------|----------------|
| C-FACE          | STANDARD         | ROUND      | HORIZONTAL  | FALSE       | NONE               | FALSE      | NONE    | GRAY - LINCOLN |

| BEARINGS |      | GREASE     | SHAFT TYPE | SPECIAL DE | SPECIAL ODE | SHAFT MATERIAL           | FRAME MATERIAL |
|----------|------|------------|------------|------------|-------------|--------------------------|----------------|
| DE       | ODE  |            |            |            |             |                          |                |
| BALL     | BALL | POLYREX EM | T          | NONE       | NONE        | 1144 STRESSPROOF (C-223) | ROLLED STEEL   |
| 205      | 203  |            |            |            |             |                          |                |

| THERMO-PROTECTORS |            |          |          | THERMISTORS | CONTROL | SPACE HEATERS |
|-------------------|------------|----------|----------|-------------|---------|---------------|
| THERMOSTATS       | PROTECTORS | WDG RTDs | BRG RTDs |             |         |               |
| NONE              | NOT        | NONE     | NONE     | NONE        | FALSE   | NONE VOLTS    |

\*  
N  
O  
T  
E  
S  
\*

|  |
|--|
| <b>INVERTER TORQUE:</b> NONE   |
| <b>INV. HP SPEED RANGE:</b> NONE   |
| <b>ENCODER:</b> NONE<br>NONE NONE<br>NONE NONE PPR                                 |
| <b>BRAKE:</b> NONE NONE<br>NONE P/N NONE<br>NONE NONE<br>NONE FT-LB NONE V NONE Hz |

Data Sheet

Date: 1/29/2018

LM24967



Data @ 460 V

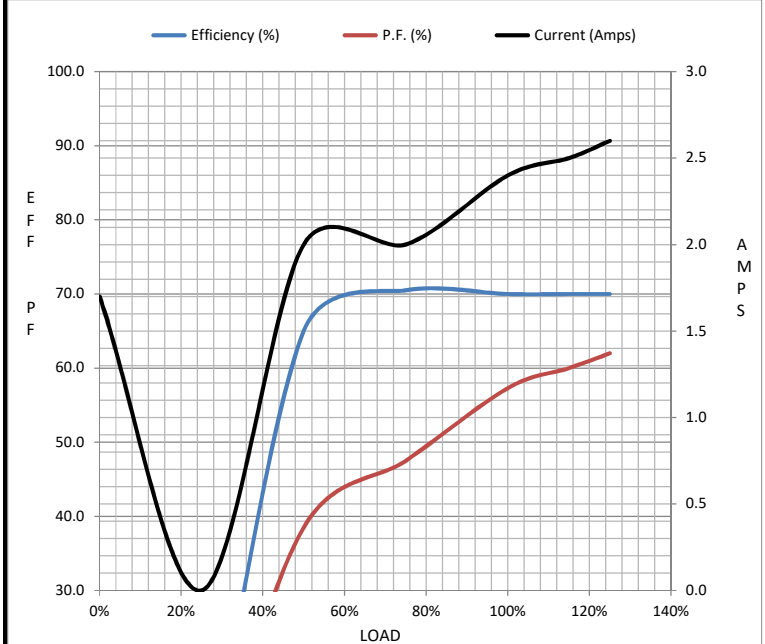
Motor Load Data

| Load           | 0%   | 25%  | 50%  | 75%  | 100% | 115% | 125% | LR   |
|----------------|------|------|------|------|------|------|------|------|
| Current (Amps) | 1.70 | 0.00 | 2.00 | 2.00 | 2.40 | 2.50 | 2.60 | 8.2  |
| Torque (ft-lb) | 0.00 | 0.00 | 3.0  | 4.4  | 6.0  | 7.0  | 7.5  | 11.4 |
| RPM            | 900  | 890  | 880  | 865  | 835  | 830  | 825  | 0    |
| Efficiency (%) |      | 0.0  | 65.0 | 70.5 | 70.0 | 70.0 | 70.0 |      |
| P.F. (%)       | 0.0  | 0.0  | 38.5 | 47.5 | 57.3 | 60.0 | 62.0 | 0.0  |

Motor Speed Data

|                | LR   | Pull-Up | BD   | Rated | Idle |
|----------------|------|---------|------|-------|------|
| Speed (RPM)    | 0    | 400     | 680  | 835   | 900  |
| Current (Amps) | 8.2  | 6.8     | 5.3  | 2.40  | 1.70 |
| Torque (ft-lb) | 11.4 | 12.0    | 14.4 | 6.0   | 0.00 |

| Information Block           |                         |        |        |        |
|-----------------------------|-------------------------|--------|--------|--------|
| HP                          | 1.0                     |        |        |        |
| Sync. RPM                   | 900                     |        |        |        |
| Frame                       | 145                     |        |        |        |
| Enclosure                   | TEFC                    |        |        |        |
| Construction                | TFR                     |        |        |        |
| Voltage                     | 230/460 V               |        |        |        |
| Frequency                   | 60 Hz                   |        |        |        |
| Design                      | B                       |        |        |        |
| LR Code letter              | H                       |        |        |        |
| Service Factor              | 1.0                     |        |        |        |
| Temp Rise @ FL              | 95 °C                   |        |        |        |
| Duty                        | CONT                    |        |        |        |
| Ambient                     | 40 °C                   |        |        |        |
| Elevation                   | 1,000 feet              |        |        |        |
| Rotor/Shaft wk <sup>2</sup> | 0.14 Lb-Ft <sup>2</sup> |        |        |        |
| Ref Wdg                     | ZT800 NONE              |        |        |        |
| Sound Pressure @ 1M         | 62 dBA                  |        |        |        |
| VFD Rating                  | NONE                    |        |        |        |
| Outline Dwg                 | A-100105LN-956          |        |        |        |
| Conn. Diag                  | A-EE7308-LN             |        |        |        |
| Additional Specifications:  |                         |        |        |        |
| 0                           |                         |        |        |        |
| 0                           |                         |        |        |        |
| EQUIV CKT (OHMS / PHASE)    |                         |        |        |        |
| R1                          | R2                      | X1     | X2     | Xm     |
| 0.0000                      | 0.0000                  | 0.0000 | 0.0000 | 0.0000 |



Speed - Torque Curve

